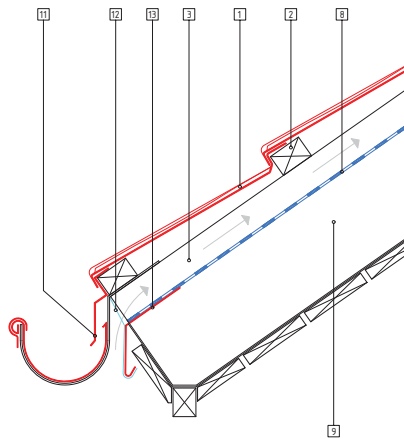


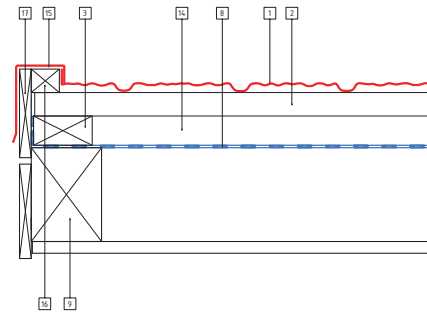
# INTERSECTION DRAWINGS CORONA SHAKE TILE

## EAVES FLASHING



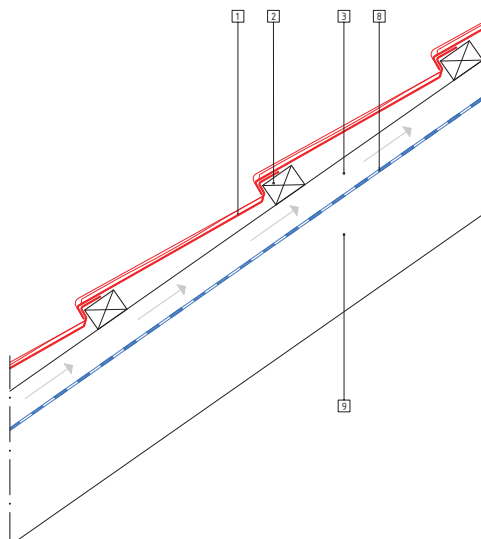
- 1 Tile
- 2 Tile Batten
- 3 Ventilation Space Batten
- 8 Underlay
- 9 Rafter
- 11 Eaves Flashing
- 12 Mesh
- 13 Eaves Guard Flashing

## BOX BARGE



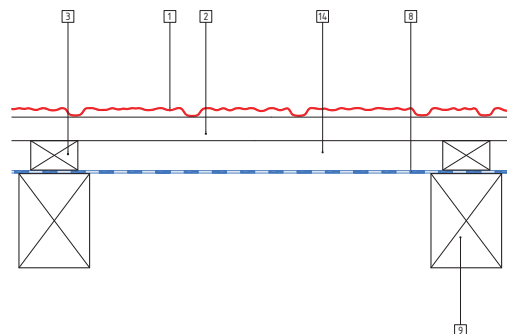
- 1 Tile
- 2 Tile Batten
- 3 Ventilation Space Batten
- 8 Underlay
- 9 Rafter
- 14 Ventilation Space
- 15 Box Barge
- 16 Gable Batten
- 17 Barge Board

## BASIC PRINCIPLE 1



- 1 Tile
- 2 Tile Batten
- 3 Ventilation Space Batten
- 8 Underlay
- 9 Rafter

## BASIC PRINCIPLE 2

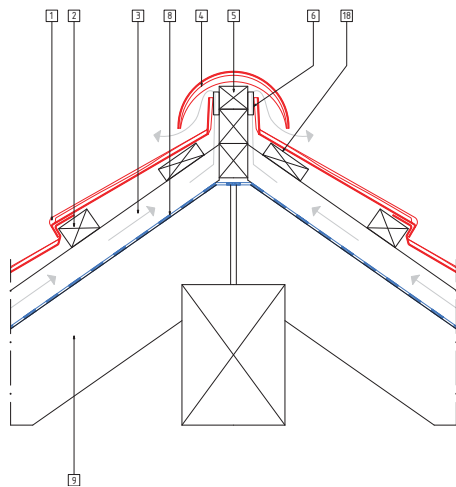


- 1 Tile
- 2 Tile Batten
- 3 Ventilation Space Batten
- 8 Underlay
- 9 Rafter
- 14 Ventilation Space

All the intersection drawings are available in full A4 format upon request.

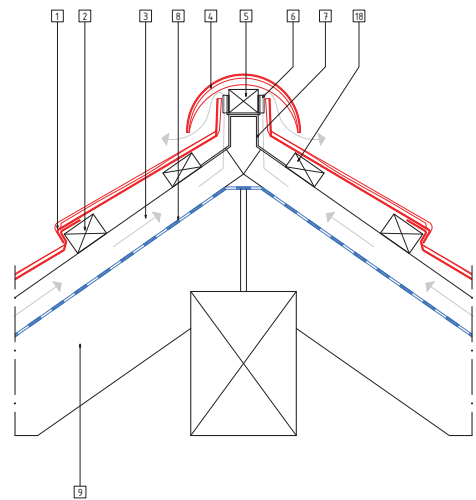
# INTERSECTION DRAWINGS CORONA SHAKE TILE

## RIDGE



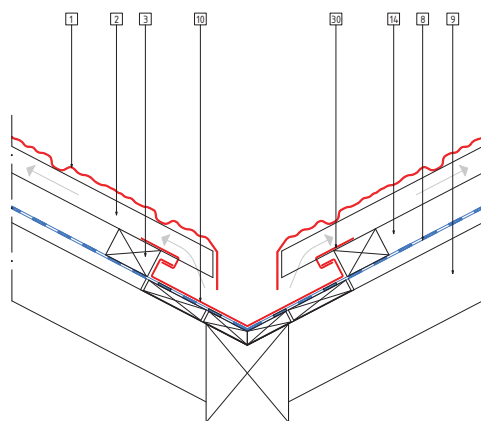
- 1 Tile
- 2 Tile Batten
- 3 Ventilation Space Batten
- 4 Barrel
- 5 Ridge Batten
- 6 Spacer
- 8 Underlay
- 9 Rafter
- 18 Thinner Support Batten

## RIDGE 1



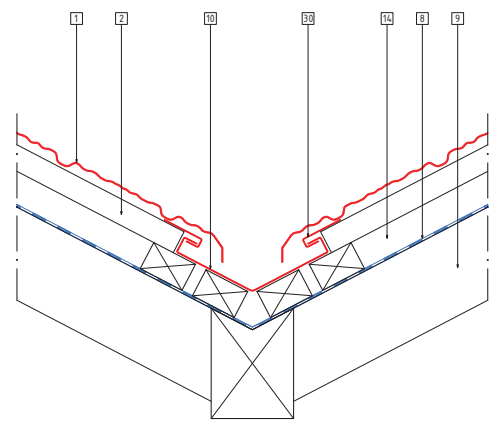
- 1 Tile
- 2 Tile Batten
- 3 Ventilation Space Batten
- 4 Batten
- 5 Ridge Batten
- 6 Spacer
- 7 Ridge Bracket
- 8 Underlay
- 9 Rafter
- 18 Thinner Support Batten

## VALLEY



- 1 Tile
- 2 Tile Batten
- 3 Ventilation Space Batten
- 8 Underlay
- 9 Rafter
- 10 Valley
- 14 Ventilation Space
- 30 Clip

## VALLEY 1

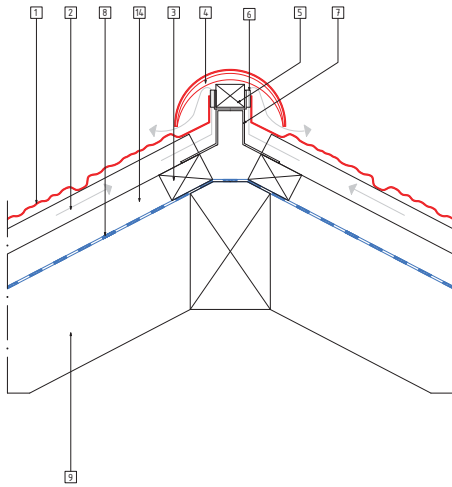


- 1 Tile
- 2 Tile Batten
- 3 Ventilation Space Batten
- 8 Underlay
- 9 Rafter
- 10 Valley
- 14 Ventilation Space
- 30 Clip

All the intersection drawings are available in full A4 format upon request.

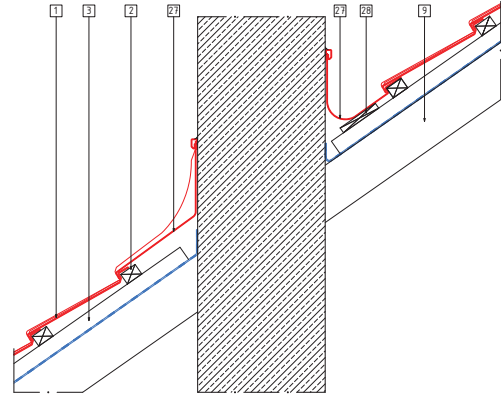
# INTERSECTION DRAWINGS CORONA SHAKE TILE

## HIP



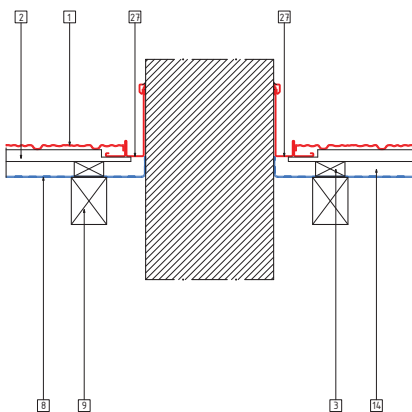
- 1 Tile
- 2 Tile Batten
- 3 Ventilation Space Batten
- 4 Barrel
- 5 Hip Batten
- 6 Spacer
- 7 Hip Bracket
- 8 Underlay
- 9 Rafter
- 14 Ventilation Space

## CHIMNEY FLASHING



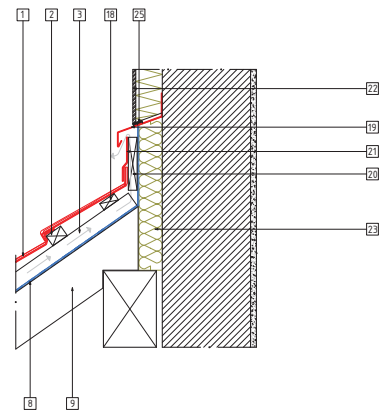
- 1 Tile
- 2 Tile Batten
- 3 Ventilation Space Batten
- 9 Rafter
- 27 Chimney Flashing
- 28 Board

## CHIMNEY FLASHING



- 1 Tile
- 2 Tile Batten
- 3 Ventilation Space Batten
- 8 Underlay
- 9 Rafter
- 27 Chimney flashing

## TOP WALL FLASHING

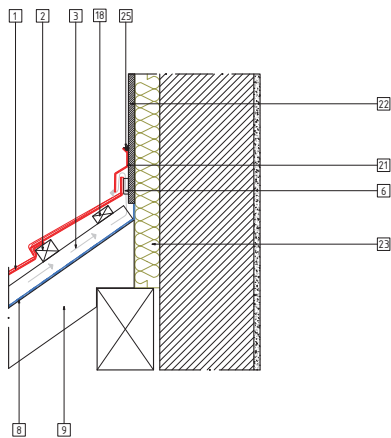


- 1 Tile
- 2 Tile Batten
- 3 Ventilation Space Batten
- 8 Underlay
- 9 Rafter
- 18 Support Batten
- 19 Top Wall Starter Flashing
- 20 Top Wall Spacer
- 21 Side Flashing
- 22 Render
- 23 Warmth Insulation
- 25 Sealant

All the intersection drawings are available in full A4 format upon request.

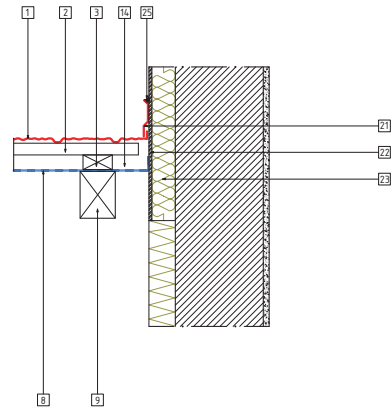
# INTERSECTION DRAWINGS CORONA SHAKE TILE

## TOP WALL FLASHING



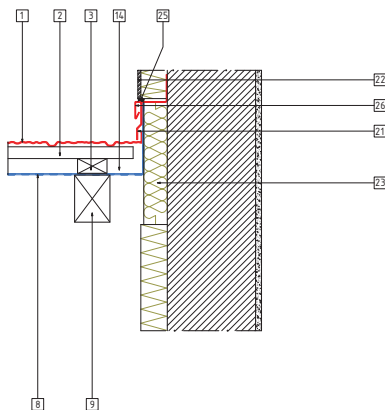
- |                                   |  |
|-----------------------------------|--|
| <b>1</b> Tile                     | <b>19</b> Top Wall Starter<br>Flashing |
| <b>2</b> Tile Batten              | <b>20</b> Top Wall Spacer              |
| <b>3</b> Ventilation Space Batten | <b>21</b> Side Flashing                |
| <b>6</b> Spacer                   | <b>22</b> Render                       |
| <b>8</b> Underlay                 | <b>23</b> Warmth Insulation            |
| <b>9</b> Rafter                   | <b>25</b> Sealant                      |
| <b>18</b> Support Batten          |  |

## WALL FLASHING



- |                                   |                             |
|-----------------------------------|-----------------------------|
| <b>1</b> Tile                     | <b>21</b> Side Flashing     |
| <b>2</b> Tile Batten              | <b>22</b> Render            |
| <b>3</b> Ventilation Space Batten | <b>23</b> Warmth Insulation |
| <b>8</b> Underlay                 | <b>25</b> Sealant           |
| <b>9</b> Rafter                   |                             |
| <b>14</b> Ventilation Space       |                             |

## WALL FLASHING



- |                                   |                                      |
|-----------------------------------|--------------------------------------|
| <b>1</b> Tile                     | <b>21</b> Side Flashing              |
| <b>2</b> Tile Batten              | <b>22</b> Render                     |
| <b>3</b> Ventilation Space Batten | <b>23</b> Warmth Insulation          |
| <b>8</b> Underlay                 | <b>25</b> Sealant                    |
| <b>9</b> Rafter                   | <b>26</b> Side Wall Starter Flashing |
| <b>14</b> Ventilation Space       |                                      |

All the intersection drawings are available in full A4 format upon request.